



# PARTS BREAKDOWN

## 3" TRASH PUMP

MODEL:TP-3013HM



**BEPOWEREQUIPMENT**

**.COM**

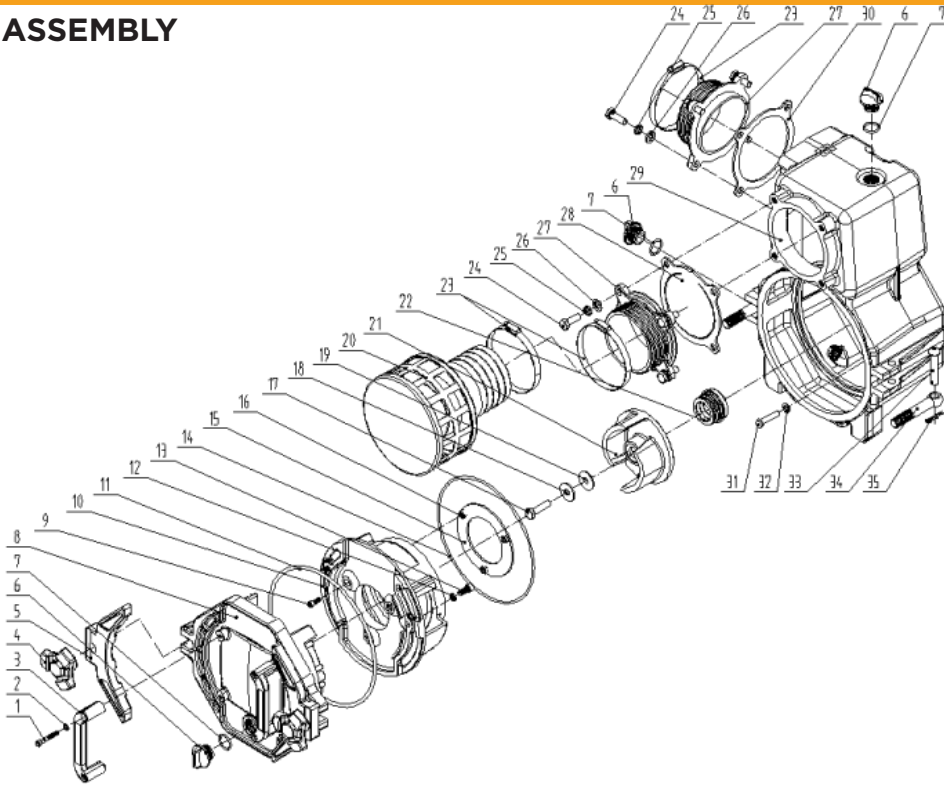


# PARTS BREAKDOWN

## 3" TRASH PUMP

MODEL:TP-3013HM

### WATER PUMP ASSEMBLY



REF #	DESCRIPTION	QTY	BE PART #
3	HANDLE	2	50.103.409
4	TRIANGLE NUT	2	50.103.410
5	PUMP COVER PRESSING PLATER	2	50.103.411
6	G3/4"-14 SCREW PLUG	3	50.103.406
7	G3/4"-14 PLUG O-RING	3	
8	PUMP COVER	1	50.103.407
10	DIFFUSOR	1	50.103.405
13	HEXAGON SOCKET HEAD CAP SCREWS M8x20	2	50.103.412
15	DIFFUSER PANEL	1	
11	O-RING	1	50.103.401
14	DIFFUSER SEAL RING 219x3.5	1	
18	GASKET 10	1	
19	RUBBER PLUG	1	
28	FLAP VALVE	1	
32	GASKET 8.5x18x3	4	
21	IMPELLER	1	50.103.400
29	PUMP BODY	1	50.103.402
27	SUCTION FLANGE	1	50.103.416
33-35	SWING BOLT ASSEMBLY	2	50.103.403

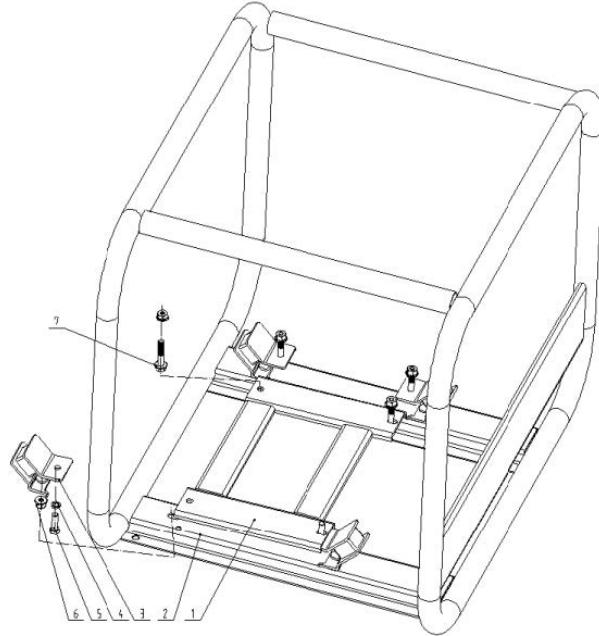


# PARTS BREAKDOWN

## 3" TRASH PUMP

MODEL:TP-3013HM

### FRAME



REF #	DESCRIPTION	QTY	BE PART #
1	SUPPORT PLATE	1	50.103.408
2	FRAME	1	
3	SHOCK ABSORBER	4	50.102.154
4	SPRING WASHER	2	
5	OUTER HEXAGON BOLT M8 x 25	2	
6	SKID RESISTANT NUT WITH PAD M8	8	
7	OUTER HEXAGON BOLT M8 x 40	4	CHECK HARDWARE STORE

**\*CHECK WITH HONDA FOR ENGINE BREAKDOWN AND PARTS**

# BE

**POWER EQUIPMENT**

---

If you need technical assistance call:

**1-866-850-6662**

**(8:00am - 4:30pm PST, Mon - Fri)**